



Chicago Pneumatic

Product Instructions

Printed Matter No. 6159923680

Date: 2017-04 Issue No. 01

Nutranner

Valid from Serial No. 00001 to 99999

Model:

CP6613

CP6626

CP6641



⚠ WARNING

Read all safety warnings and instructions

Failure to follow the safety warnings and instructions may result in electric shock, fire and/or serious injury.

Save all warnings and instructions for future reference

Table of Contents

Product information	3
General information.....	3
Website	3
Installation	4
Installation Instruction.....	4
Operation	7
Operating Instruction	7

Product information

General information

⚠ WARNING Risk of Property Damage or Severe Injury

Ensure that you read, understand and follow all instructions before operating the tool. Failure to follow all the instructions may result in electric shock, fire, property damage and/or severe bodily injury.

- ▶ Read all safety Information delivered together with the different parts of the system.
- ▶ Read all product Instructions for installation, operation and maintenance of the different parts of the system.
- ▶ Read all locally legislated safety regulations with regard to the system and parts thereof.
- ▶ Save all safety information and instructions for future reference.

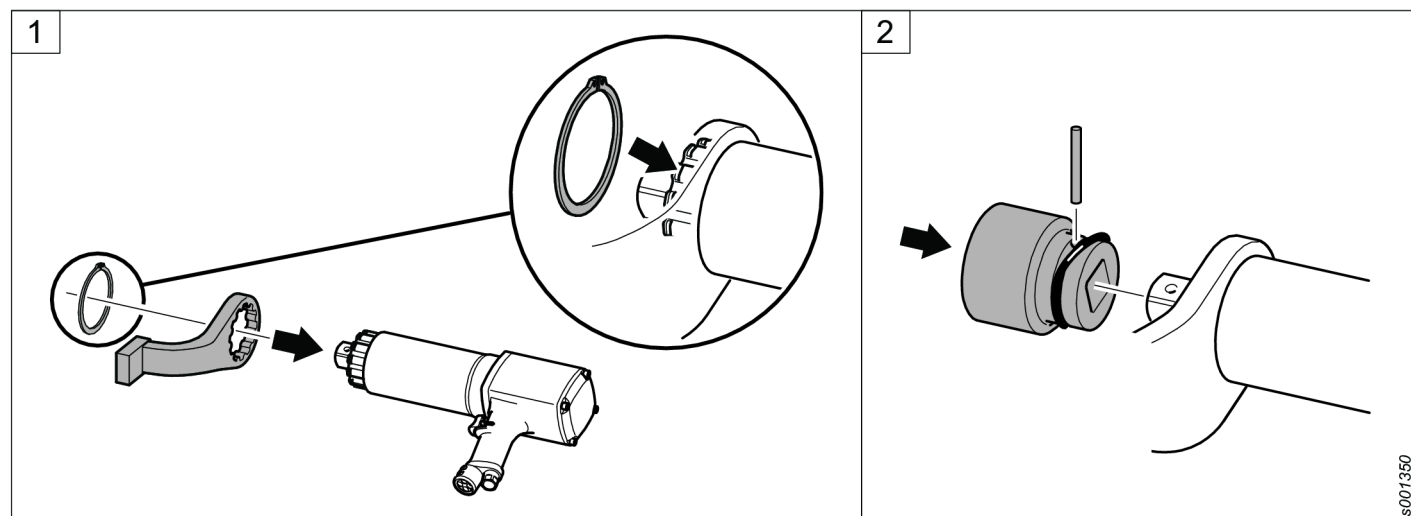
Website

Log in to Chicago Pneumatic: www.cp.com.

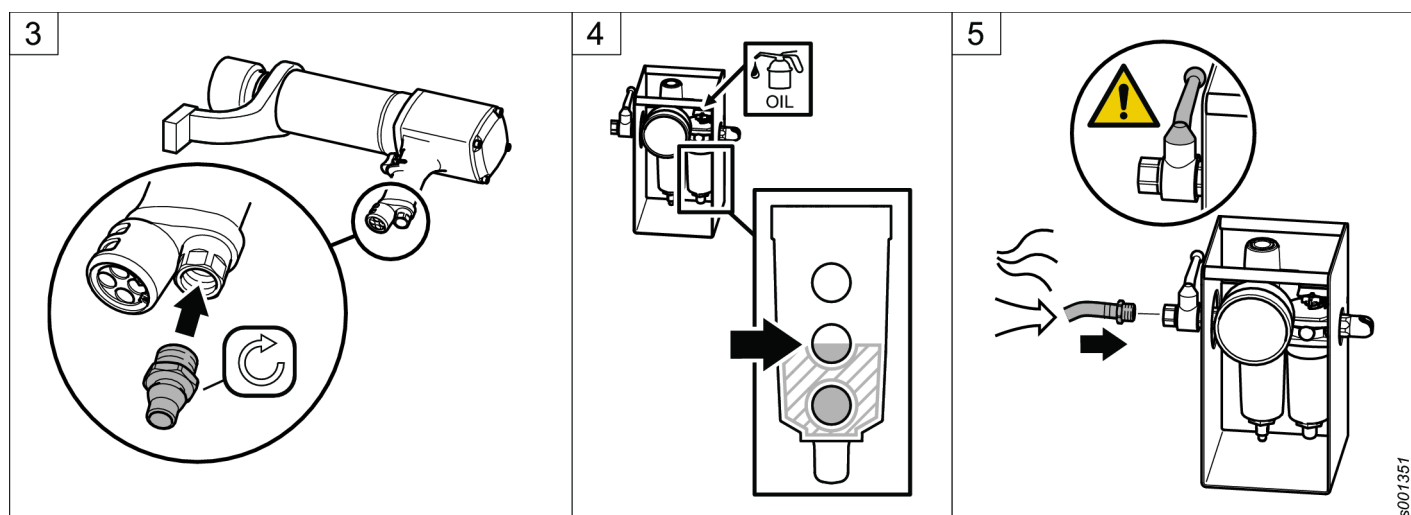
You can find information concerning our products, accessories, spare parts and published matters on our website.

Installation

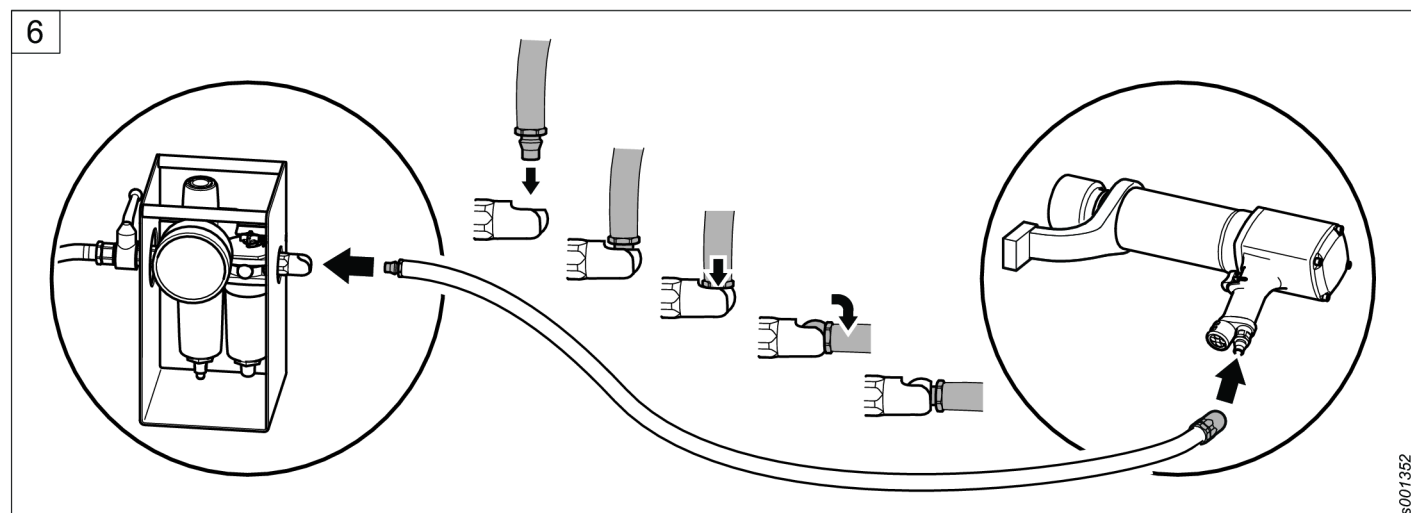
Installation Instruction



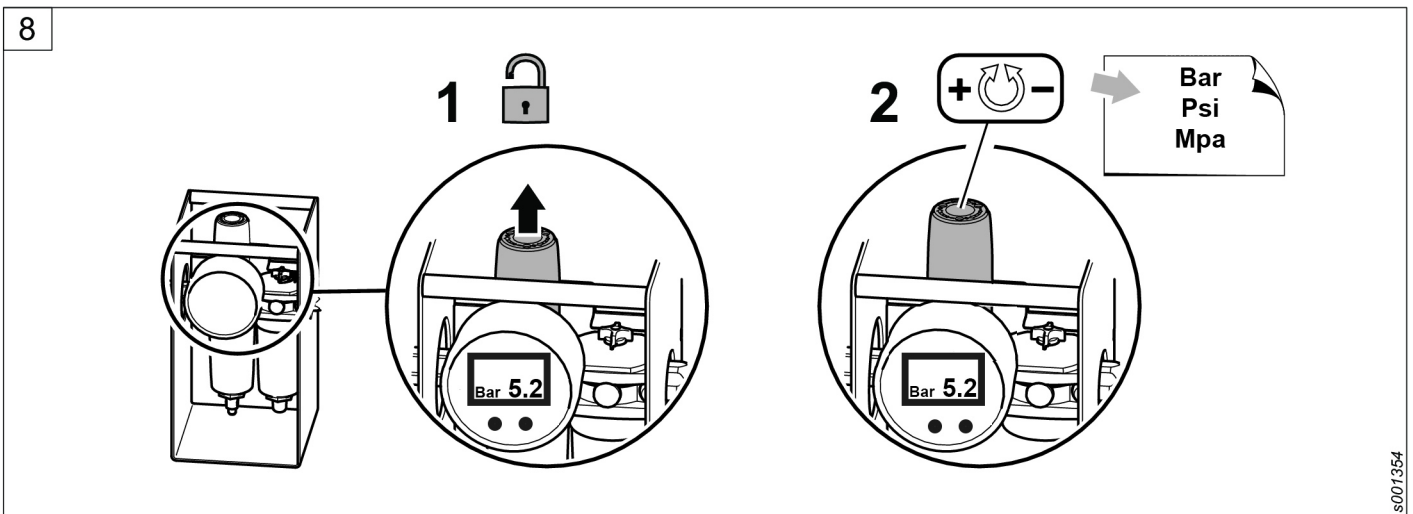
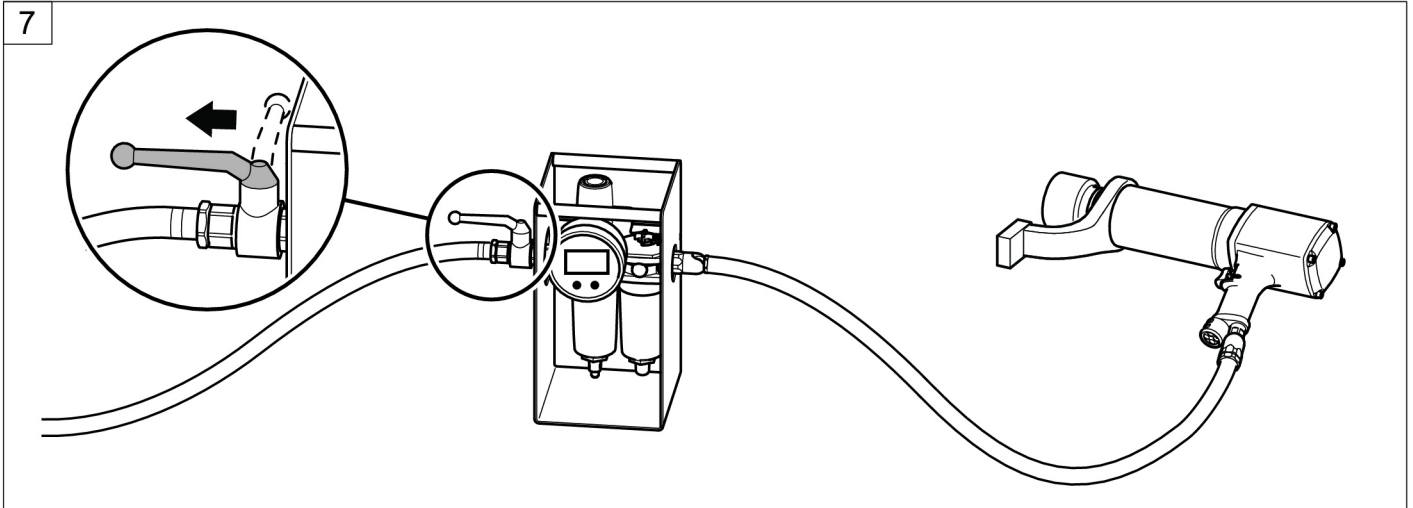
s001350



s001351



s001352

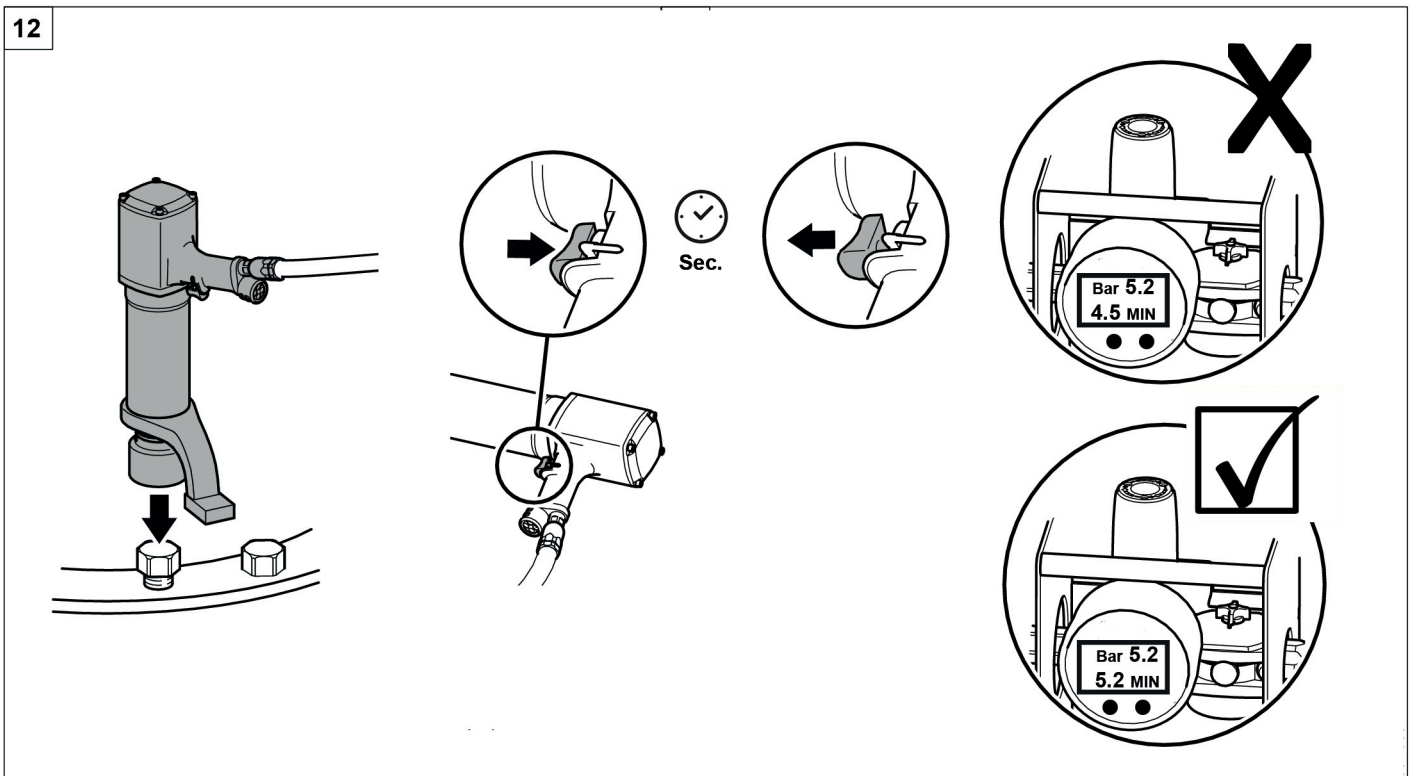
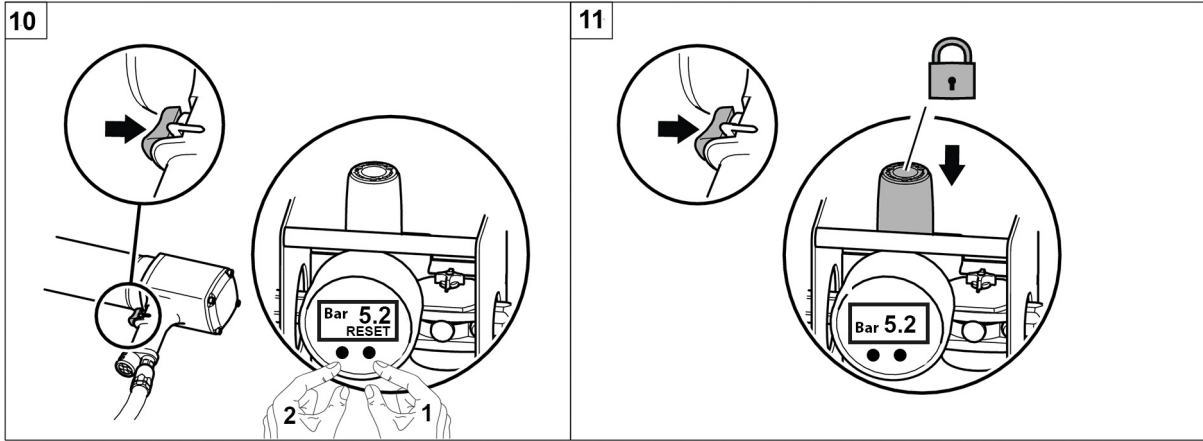


s001354

9

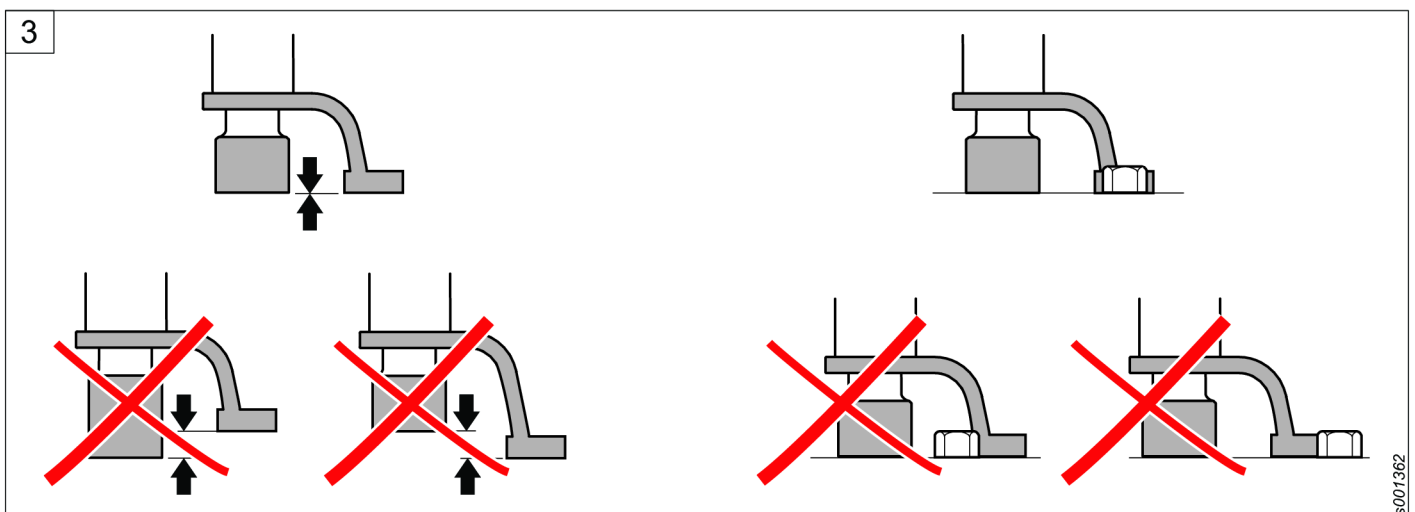
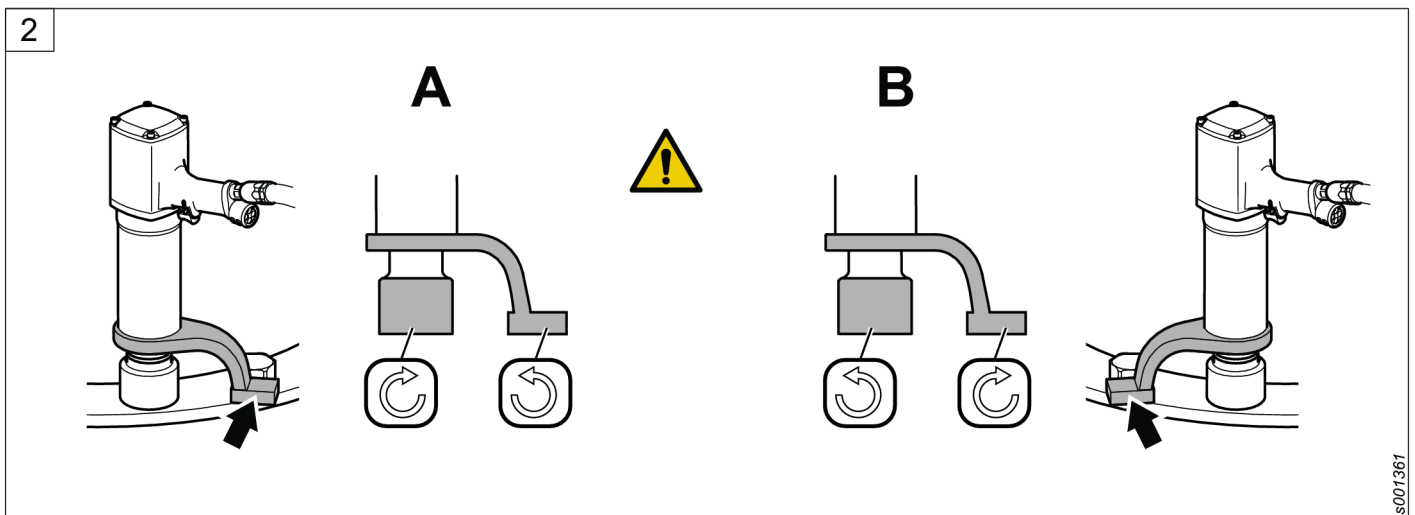
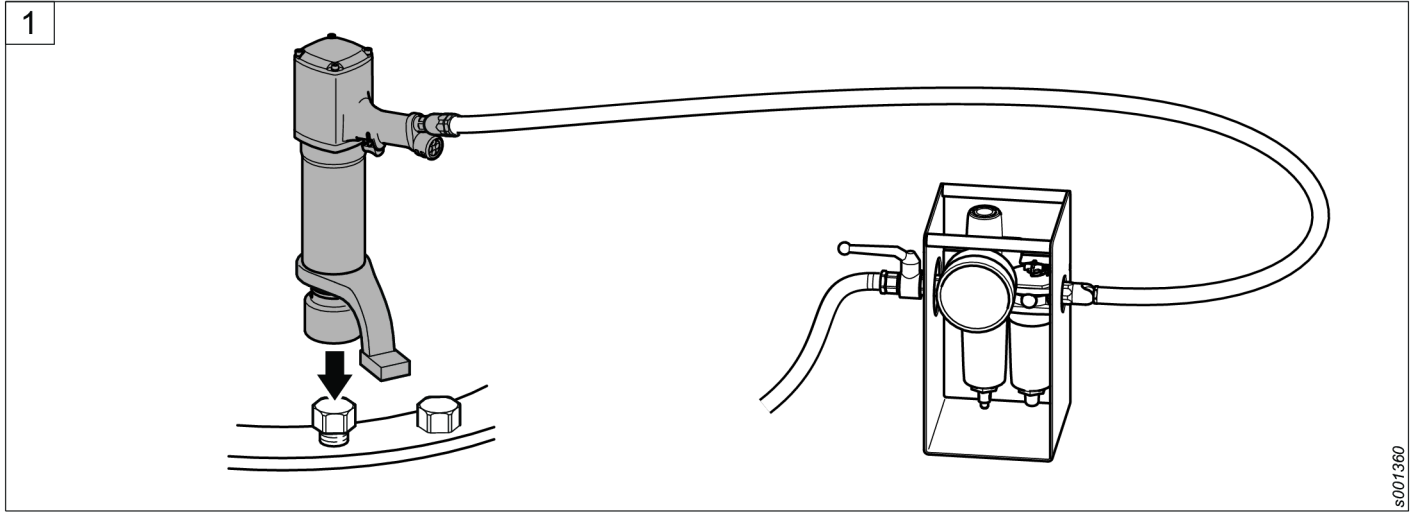
Torque test results						Unit
Air pressure	1,50	2,50	4,50	5,50	6,30	bar
Mean	1015	1706	2988	3573	4195	Nm

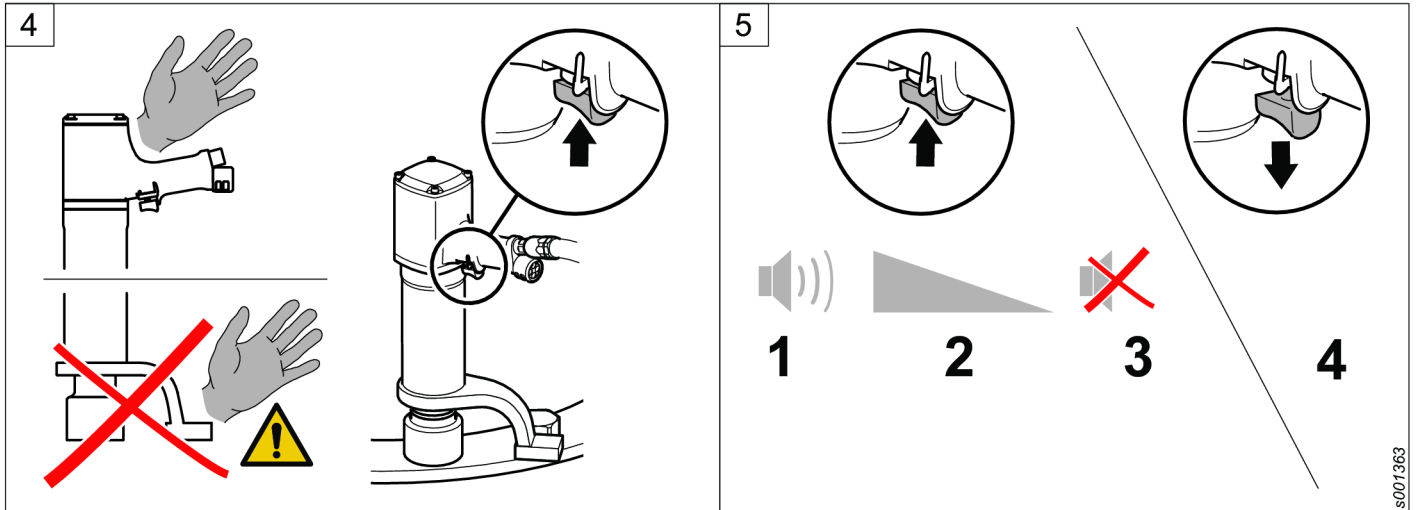
Tabulated torque for different supply air pressure					
Air pressure	Torque		Air pressure	Torque	Torque
bar	Nm		PSI	ft.lbf	kgf.m
1,50	1010		21,8	740	103
1,70	1160		24,7	860	118
1,90	1310		27,6	970	134
2,10	1450		30,5	1070	148
2,30	1580		33,4	1170	161
2,50	1720		36,3	1270	175
2,70	1850		39,2	1360	189
2,90	1990		42,1	1460	202
3,10	2100		45,0	1550	214
3,30	2230		47,9	1640	227
3,50	2350		50,8	1730	240
3,70	2470		53,7	1820	252
3,90	2590		56,6	1910	264
4,10	2720		59,5	2010	277
4,30	2840		62,4	2090	290
4,50	2960		65,3	2180	302
4,70	3090		68,2	2280	315
4,90	3210		71,1	2370	327
5,10	3340		74,0	2460	341
5,30	3470		76,9	2560	354
5,50	3610		79,8	2660	368
5,70	3750		82,7	2770	382
5,90	3890		85,6	2870	397
6,10	4030		88,5	2970	411
6,30	4190		91,4	3090	427



Operation

Operating Instruction





ABOUT CHICAGO PNEUMATIC



Since 1901 the Chicago Pneumatic (CP) name has represented reliability and attention to customer needs, with construction, maintenance and production tools and compressors designed for specific industrial applications. Today, CP has a global reach, with local distributors around the world.

Our people start every single day with a passion to research, develop, manufacture and deliver new products that are meant to meet your needs not only today, but tomorrow as well.

TO LEARN MORE, VISIT WWW.CP.COM



To find more information about your tool, scan the QR code or go to m.cp.com